

Clarke®



FOLDABLE LED WORKLIGHT

MODEL NO: SMD2700L

PART NO: 4003539

USER INSTRUCTIONS

UK
CA | CE



ORIGINAL INSTRUCTIONS

GC-11/23 Rev 1

INTRODUCTION

Thank you for purchasing this CLARKE portable worklight.

Before attempting to use this product, please read this manual thoroughly and follow the instructions carefully. In doing so you will ensure the safety of yourself and that of others around you, and you can look forward to your purchase giving you long and satisfactory service.

TECHNICAL INFORMATION

Model	SMD2700L
Operating voltages	230V - 50HZ
Cable length	1.95M
LED Wattage consumption	30W
Efficiency	90L/W
Lighting source	SMD 40LED array
Light output (luminous flux)	2700LM
Colour temperature (rendering)	6000-6500 K
Ingress Protection (IP rating)	IP65
Operating temperatures	0 to +45°C
Dimension	260 x 230 x 180 mm
Weight	1Kg

GUARANTEE

This product is guaranteed against faulty manufacture for a period of 12 months from the date of purchase. Please keep your receipt which will be required as proof of purchase.

This guarantee is invalid if the product is found to have been abused or tampered with in any way, or not used for the purpose for which it was intended.

Faulty goods should be returned to their place of purchase, no product can be returned to us without prior permission.

This guarantee does not effect your statutory rights.

ELECTRICAL CONNECTIONS



WARNING: READ THESE ELECTRICAL SAFETY INSTRUCTIONS THOROUGHLY BEFORE CONNECTING THE PRODUCT TO THE MAINS SUPPLY.

Connect the mains lead to a standard, 230 Volt (50Hz) electrical supply through an approved BS 1363 plug, or a suitably fused isolator switch.

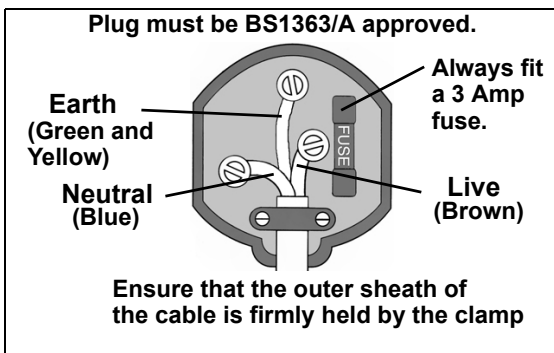
If the plug has to be changed because it is not suitable for your socket, or because of damage, it must be removed and a replacement fitted, following the wiring instructions shown below. The old plug must be discarded safely, as insertion into a power socket could cause an electrical hazard.



**WARNING: THE WIRES IN THE POWER CABLE OF THIS PRODUCT ARE COLOURED IN ACCORDANCE WITH THE FOLLOWING CODE:
BLUE = NEUTRAL BROWN = LIVE YELLOW AND GREEN = EARTH**

If the colours of the wires in the power cable do not agree with the markings on the plug,

- The BLUE wire must be connected to the terminal which is marked N or coloured black.
- The BROWN wire must be connected to the terminal which is marked L or coloured red.
- The YELLOW AND GREEN wire must be connected to the terminal which is marked E or \perp or coloured green.



We strongly recommend that this product is connected to the mains supply through a Residual Current Device (RCD)

If you are not sure, consult a qualified electrician.

SAFETY PRECAUTIONS

1. This worklight must not be immersed in water.
2. DO NOT look directly into the lamp when switched on as this can damage the eyes.
3. DO NOT use this worklight if it has a damaged lens, casing or supply cable.
4. ALWAYS unplug the worklight before moving it or performing maintenance. DO NOT touch the lamp when your hands are wet.
5. DO NOT attempt to disassemble or repair the worklight.
6. NEVER unplug the worklight by pulling the cable.
7. DO NOT leave the worklight unattended when switched on. ALWAYS unplug the worklight when it is not in use.

ADJUSTMENT & USE

The LED work light's stand is adjustable. Loosen the locking knobs (1) on both sides and adjust the stand to the suitable position before using and finally tighten it.

NOTE: DO NOT exceed the adjustable range as this could damage the stand.

The worklight head can be tilted vertically up to 30° down or 90° up.

To adjust the light direction, loosen the side angle adjusting knobs (2) on both sides. Adjust the work light head to the desired position and retighten the knob.

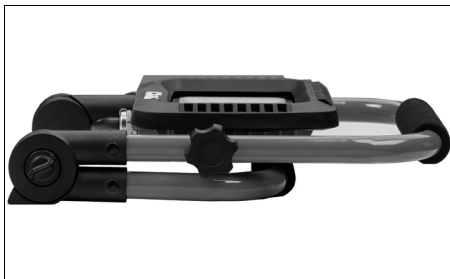


TURNING THE WORKLIGHT ON

1. Before working with the work light, check that the voltage shown on the light's model plate is the same as the mains voltage being used.
2. Plug the worklight into a grounded electrical outlet.
3. Position the worklight near the work. Adjust the stand to direct the light beam.

CARE & STORAGE

1. When not in use, switch off & unplug from the power supply.
2. Store the worklight folded flat as shown.
3. Store in a dry place, out of reach of children. DO NOT leave it exposed to the elements and avoid direct sunlight, direct heat, rain/moisture etc.
4. Keep the external surfaces clean. Avoid impact damage & DO NOT allow this product to come into contact with abrasive or corrosive materials.
5. DO NOT use solvents, thinners or alcohol for cleaning, as these chemicals will damage the finish. With the lamp unplugged from the power supply, use a dry cloth to wipe over the lamp components.
6. The LED light source cannot be replaced but has a life expectancy of approximately 30,000 hours.
7. NEVER use unauthorised accessories or attachments which can cause personal injury or damage to the product.
8. DO NOT attempt to replace or change or the LEDs if the protective glass is cracked or broken it must be replaced before the work light is used again.
9. DO NOT attempt to repair or modify this product or attempt any electrical repair yourself. Consult the CLARKE Service Department.



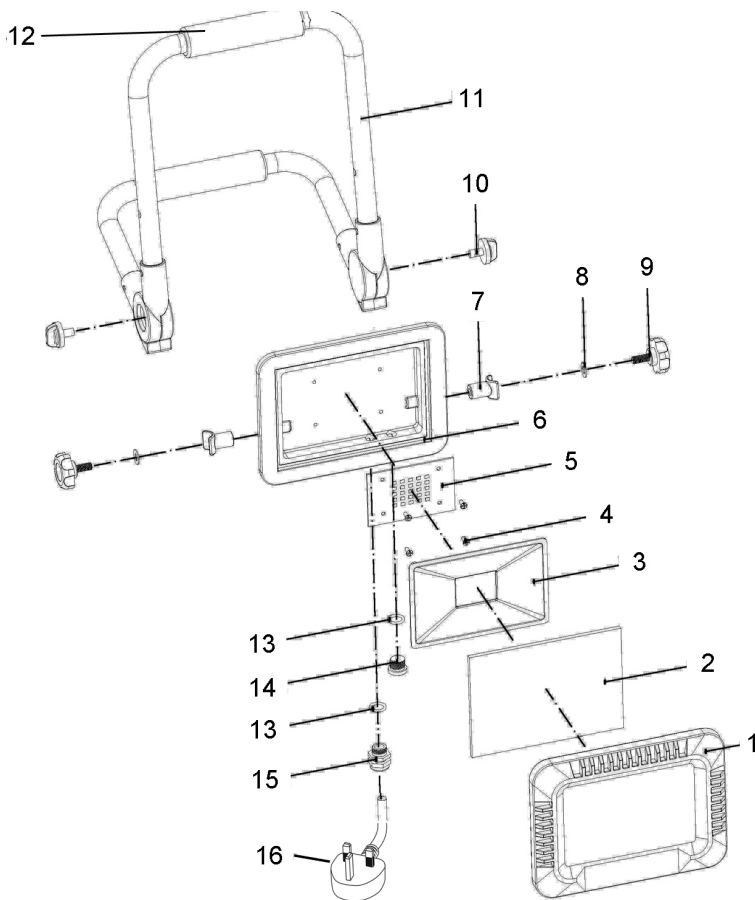
ENVIRONMENTAL RECYCLING POLICY



Through purchase of this product, the customer is taking on the obligation to deal with the WEEE in accordance with the WEEE regulations in relation to the treatment, recycling & recovery and environmentally sound disposal of the WEEE.

In effect, this means that this product must not be disposed of with general household waste. It must be disposed of according to the laws governing Waste Electrical and Electronic Equipment (WEEE) at a recognised disposal facility.

COMPONENT PARTS



1	Face frame
2	Tempered glass 4mm
3	Reflector
4	Screw M3 x 6
5	LED panel
6	Aluminium housing
7	Connecting sleeve
8	Washer M6

9	Angle adjusting knob M6
10	Stand locking knob M6
11	Stand
12	Carrying handle
13	O-ring
14	Waterproof end cap
15	Waterproof cable gland
16	Power cable with plug

DECLARATIONS OF CONFORMITY



DECLARATION OF CONFORMITY

This is an important document and should be retained.

We hereby declare that this product(s) complies with the following legislation:

2009/125EC
2014/30/EU
2014/35/EU
2011/65/EU

Ecodesign Directive
Electromagnetic Compatibility Directive
Low Voltage Directive
Restriction of the Use of certain Hazardous Substances in Electrical and Electronic Equipment (RoHS) Directive

The following standards have been applied to the product(s):

IEC 62717:2014+A2:2019, EN 13032-4:2015+A1:2019, IEC TR 61547-1:2020,
EN IEC 55015:2019+A11:2020, EN IEC 61000-3-2:2019+A1:2021, EN 61000-3-3:2013+A1:2019,
EN 61547:2009, EN IEC 60598-1:2021, EN 60598-2-5:2015, EN 62483:2015, EN 62321-4:2013,
EN 62321-5:-2013, EN 62321-6:2015, EN 62321-7-1:2015, EN 62321-7-2:2017

The technical documentation required to demonstrate that the product(s) meet(s) the requirement(s) of the aforementioned legislation has been compiled and is available for inspection by the relevant enforcement authorities.

The CE mark was first applied in: 2023

Product Description: LED Work Light 230V
Model Number(s): SMD2700L
Serial/Batch Number: Refer to product/packaging label
Date of Issue: 04/05/2023
Signed:

J.A. Clarke
Director



DECLARATION OF CONFORMITY

This is an important document and should be retained.

We hereby declare that this product(s) complies with the following legislation:

The Ecodesign for Energy-Related Products Regulations 2010
Electromagnetic Compatibility Regulations 2016
Electrical Equipment (Safety) Regulations 2016
The Restriction of the Use of Certain Hazardous Substances in Electrical and Electronic Equipment Regulations 2012

The following standards have been applied to the product(s):

IEC 62717:2014+A2:2019, EN 13032-4:2015+A1:2019, IEC TR 61547-1:2020,
EN IEC 55015:2019+A11:2020, EN IEC 61000-3-2:2019+A1:2021, EN 61000-3-3:2013+A1:2019,
EN 61547:2009, EN IEC 60598-1:2021, EN 60598-2-5:2015, EN 62483:2015, EN 62321-4:2013,
EN 62321-5:-2013, EN 62321-6:2015, EN 62321-7-1:2015, EN 62321-7-2:2017

The technical documentation required to demonstrate that the product(s) meet(s) the requirement(s) of the aforementioned legislation has been compiled and is available for inspection by the relevant enforcement authorities.

The UKCA mark was first applied in: 2023

Product Description: LED Work Light 230V
Model Number(s): SMD2700L
Serial/Batch Number: Refer to product/packaging label
Date of Issue: 04/05/2023
Signed:

J.A. Clarke
Director

A SELECTION FROM THE VAST RANGE OF

Clarke®

QUALITY PRODUCTS



AIR COMPRESSORS

From DIY to industrial, Plus air tools, spray guns and accessories.

GENERATORS

Prime duty or emergency standby for business, home and leisure.

POWER WASHERS

Hot and cold, electric and engine driven - we have what you need

WELDERS

Mig, Arc, Tig and Spot. From DIY to auto/industrial.

METALWORKING

Drills, grinders and saws for DIY and professional use.

WOODWORKING

Saws, sanders, lathes, mortisers and dust extraction.

HYDRAULICS

Cranes, body repair kits, transmission jacks for all types of workshop use.

WATER PUMPS

Submersible, electric and engine driven for DIY, agriculture and industry.

POWER TOOLS

Angle grinders, cordless drill sets, saws and sanders.

STARTERS/CHARGERS

All sizes for car and commercial use.

PARTS & SERVICE: 0208 988 7400

Parts Enquiries

Parts@clarkeinternational.com

Servicing & Technical Enquiries

Service@clarkeinternational.com

SALES: UK 01992 565333 or Export 00 44 (0)1992 565335

Clarke INTERNATIONAL Hemnall Street, Epping, Essex CM16 4LG
www.clarkeinternational.com